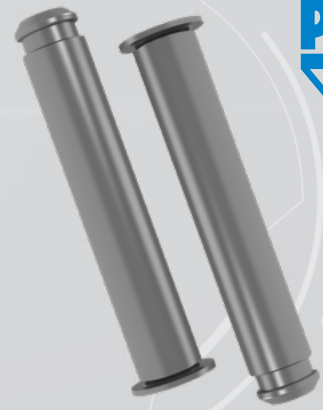


PEM eCONNECT™ PIN FASTENING TECHNOLOGY

The most challenging electrical applications demand superior performance from internal components. With **PEM® eConnect™ Pin Fastening Technology**, you get just that – fast, fully automated installation and superior electrical connections that can't be matched by traditional attachment methods.

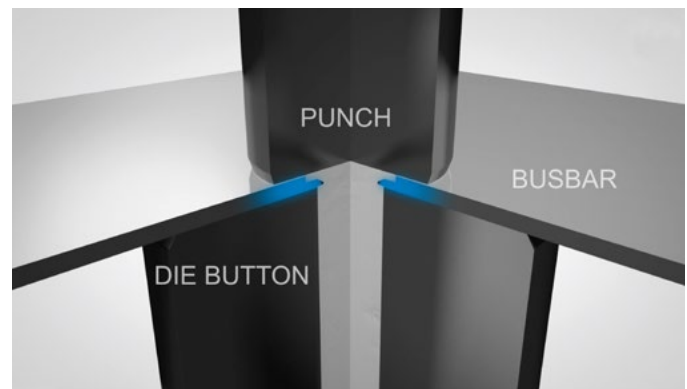


PEM® is the world leader in electrical connectivity fastening technology. Through close engineering partnerships with the world's top brands, we developed PEM® eConnect™ – the world's first current carrying fastening technology.

This first-to-market technology helps our customers develop fastening solutions that solve their most challenging electrical applications. And our PEM® eConnect™ Pin is just one example of this innovative technology at work.

Fully Automated Installation & Superior Electrical Joints for Your Most Challenging Applications

- **Quick, Secure Automated Installation**
Use PEM eConnect™ fastening technology with our line of fully automated installation systems for an efficient, cost-saving total system solution
- **No Hot Spots or Poor Conductivity**
Joint has an electrical resistance of less than 100 $\mu\Omega$
- **Range of Captivation Options**
Available in standard pin, clinch, broach, and SMT
- **Unmatched Quality**
PEM® products' time-tested, proven performance makes them the go-to choice for electrical connection solutions



[Watch Installation Video](#)

Reduce your labor costs and assembly time, and optimize joint quality.

[Contact us](#) to learn more about PEM eConnect™ fastening technology.



Self-Clinch Pin
for Metal Busbar

Broach & Flare Pin
for PCB

GLOBAL CONTACT INFORMATION

NORTH AMERICA

Danboro, Pennsylvania USA
info@pemnet.com
+1-215-766-8853
800-237-4736 (USA)

EUROPE

Galway, Ireland
europe@pemnet.com
+353-91-751714

ASIA/PACIFIC

Singapore
singapore@pemnet.com
+65-6-745-0660

SHANGHAI, CHINA

china@pemnet.com
+86-21-5868-3688