



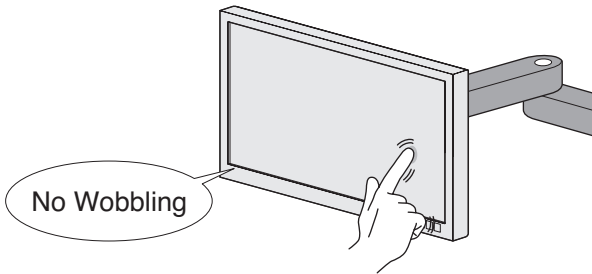
KA-T100S50-W3-BL



KA-T100S50-P2-WT

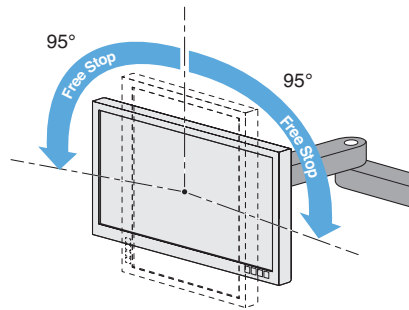
- Robust design holds monitors securely in position.
- Free stop feature allows you to freely tilt and swivel monitors and hold in desired position.
- Features an auxiliary lock mechanism which prevents sagging.
- Auxiliary lock protects monitor from unintended movement.
- VESA (75 mm x 75 mm and 100 mm x 100 mm) compliant standard.
- Supports 12" to 23" monitors weighing up to 22 lbs (10 kg)
- Applications: LCD monitors for machine tools, OA equipment, medical equipment, etc.

Stable Operation



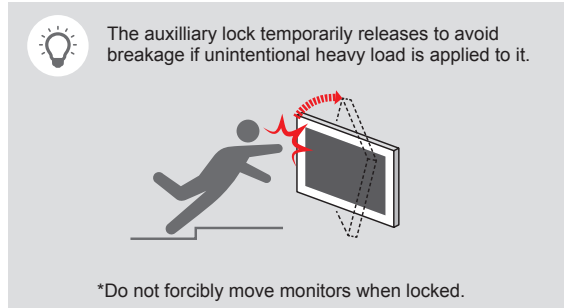
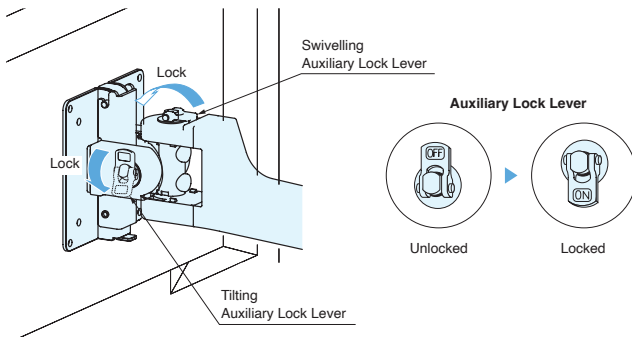
Prevents touch screens from shaking or causing unintentional inputs.

Rotational Motion



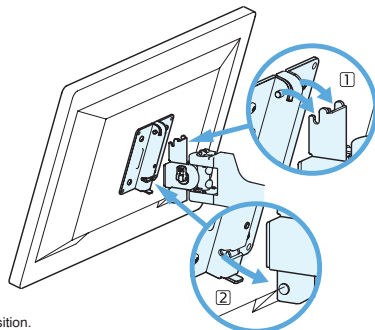
The **optional** rotation bracket allows for free stop in the rotation direction. (Free-stop range: 95° on each side)

Auxiliary Lock Operation



Easy to Mount

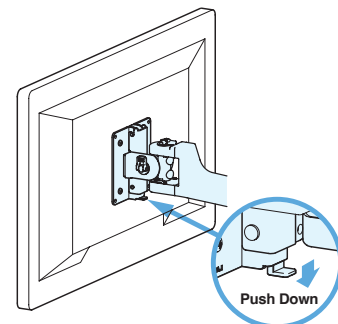
- 1) Fit the protrusion into the groove of the bracket.
- 2) Push the lower part of the mounting plate.



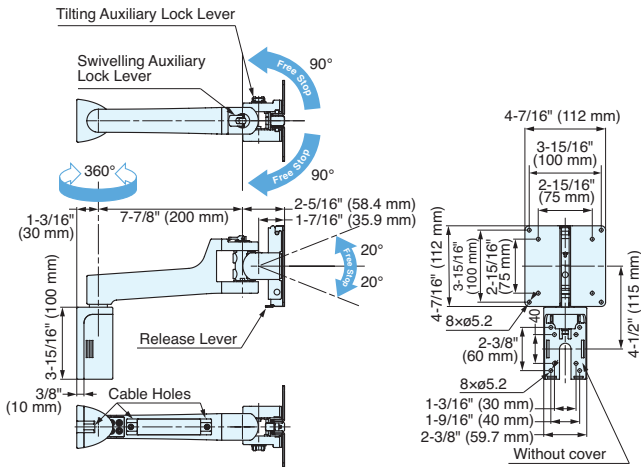
*Make sure mark is in upward position.

To Dismount

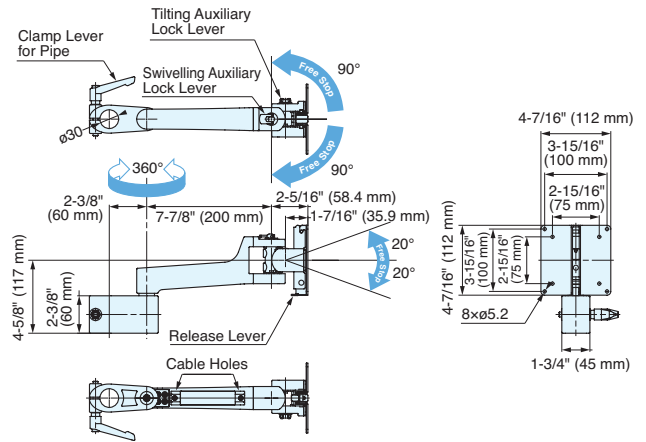
To remove, push down on the release lever and tilt the monitor.



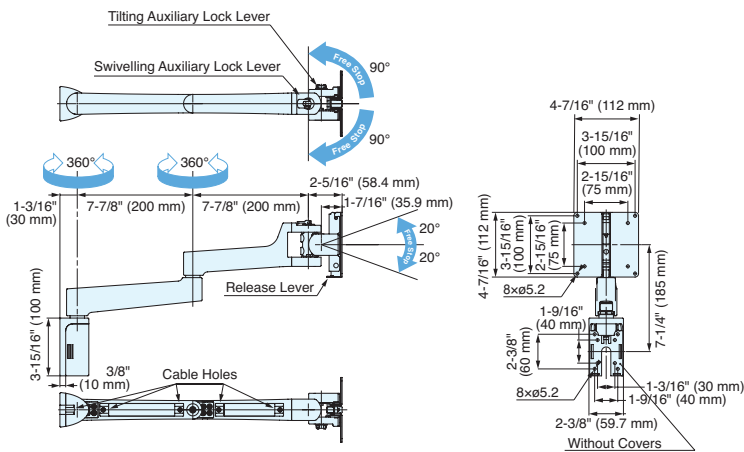
KA-T100S50-W2 Wall Mount / Single Arm



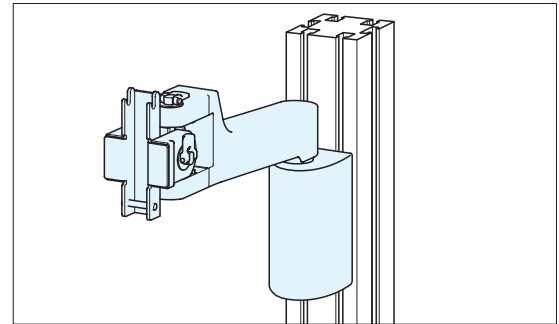
KA-T100S50-P2 Pipe Mount (ø30) / Single Arm



KA-T100S50-W3 Wall Mount / Double Arms

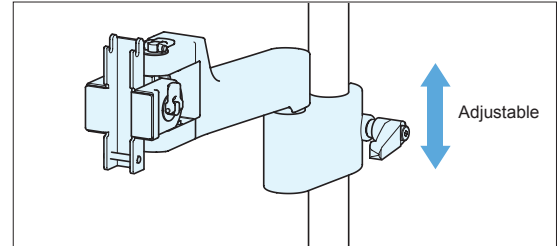


Can be mounted on aluminium frame For wall mount type



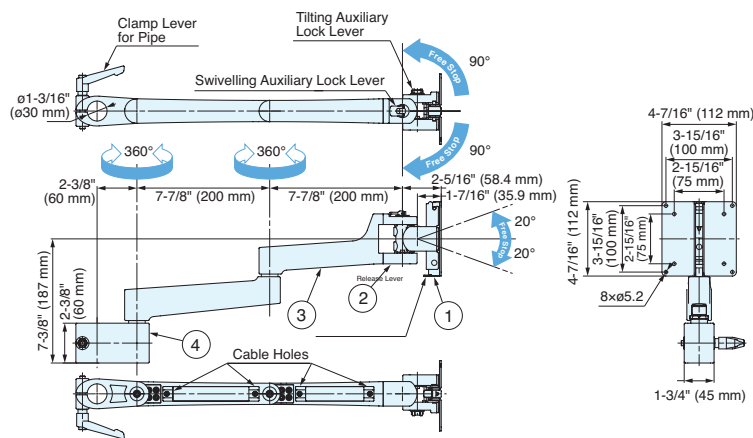
Available Aluminium Frame: 30 x 60 mm or 40 x 80 mm / 2 slots

Height Adjustment For pipe mount type

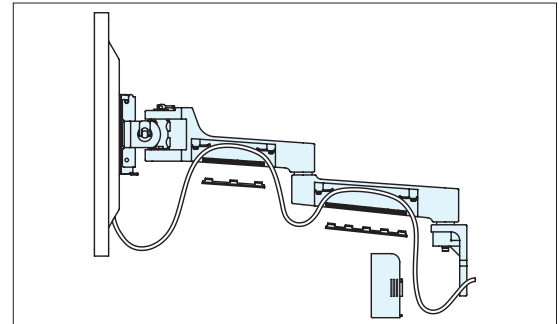


Adjustable

KA-T100S50-P3 Pipe Mount (ø30) / Double Arms



Wiring Cables Comes with covers for cables



Item No.	Type	Color	Torque (Tilt) (N·m)	Torque (Rotation) (N·m)			
				Monitor Part	Center Part	Mounting Part	
KA-T100S50-W2-BL	Wall Mount/ Single Arm	Black	88.5 lbs-in (10±20%)	44.2 lbs-in (5.0±20%)	-	70.8 lbs-in (8.0±20%)	
KA-T100S50-W2-WT		White					
KA-T100S50-P2-BL	Pipe Mount (ø30)/ Single Arm	Black					
KA-T100S50-P2-WT		White					
KA-T100S50-W3-BL	Wall Mount/ Double Arms	Black					35.4 lbs-in (4.0±20%)
KA-T100S50-W3-WT		White					
KA-T100S50-P3-BL	Pipe Mount (ø30)/ Double Arms	Black					
KA-T100S50-P3-WT		White					

No.	Part Name	Material	Finish
①	Mounting Plate	Steel (SPCC)	Electrodeposition
②	Body	Steel (SPCC)/ ABS	
③	Arm	Aluminium Alloy/ ABS	Matte Anodized
④	Base	Aluminium Alloy	