

GRAVITY SOFT-CLOSE HINGE

HG-JG150

HINGES

CONCEALED HINGES

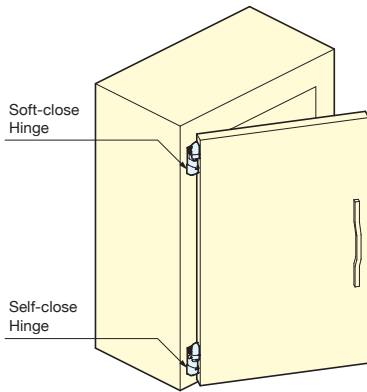


Self-close Hinge
(for lower)

Soft-close Hinge
(for upper)

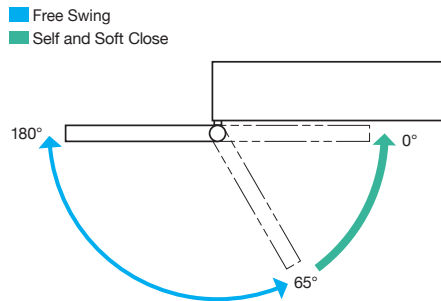
- Lift-off hinges for easy installation and removal of a door. Automatically and quietly closes the doors without additional dampers or door closers.
- Sold in pairs/sets that includes a self-closing hinge and a soft-closing hinge.
- Automatically closes doors from its 65° open angle and features an adjustable damper to control the closing speed.
- The self-close function helps reduce the loss of energy by keeping doors shut for common applications such as cold storage equipment, laboratories, and food warmers.
- Includes covers to hide the mounting screws.
- Angled surface of covers designed to prevent dust and other particles to accumulate.
- Door position can be adjusted for depth and in a horizontal direction 1/8" (± 3 mm).
- Durability: passed 50,000 open/close cycles (private test).

Installation of Left-handed Type

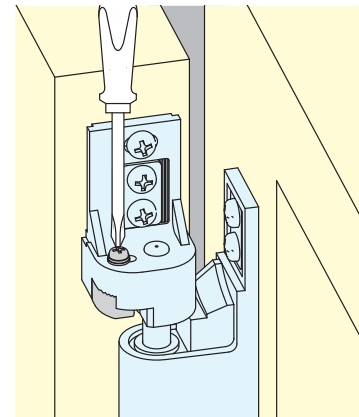


* Pitch between hinges: Min. 47-1/4" (1200 mm)

Door Motion

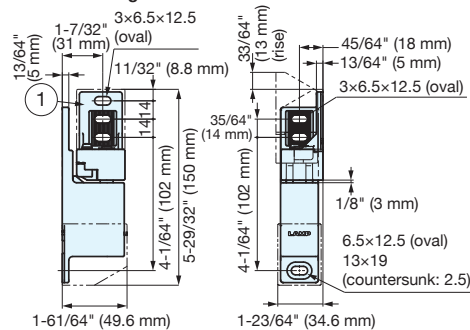


Speed Adjustment

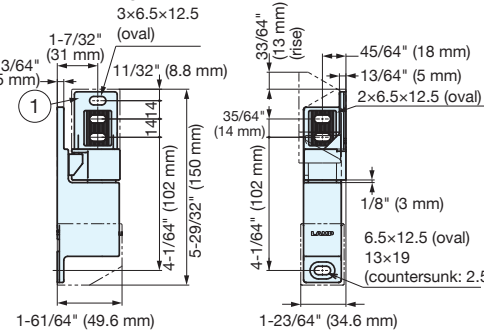


Closing speed can be adjusted with the screw of the soft-close hinge which is for the upper side.

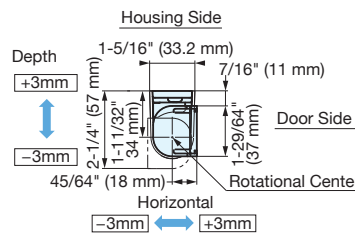
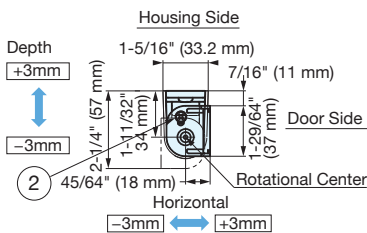
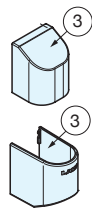
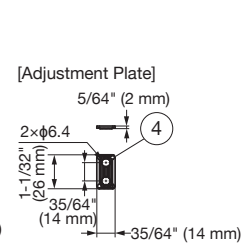
Soft-Close Hinge



Self-Close Hinge



Covers



* Left-handed type is shown.

Item No.	Type	Door Width	Door Height	Load Capacity/ Set	Weight (g)	Carton (set)
HG-JG150R-CR	Right-handed	Max. 35-7/16" (900 mm)	Max. 94-31/64" (2400 mm)	22 ~ 44 lbs (10 ~ 20 kg/set)	995	10
HG-JG150L-CR	Left-handed					

No.	Part Name	Material	Finish
①	Body	Zinc Alloy	Chrome
②	Speed Adjustment Screw	Steel	Nickel
③	Cover	ABS	Chrome
④	Adjustment Plate	Zinc Alloy	